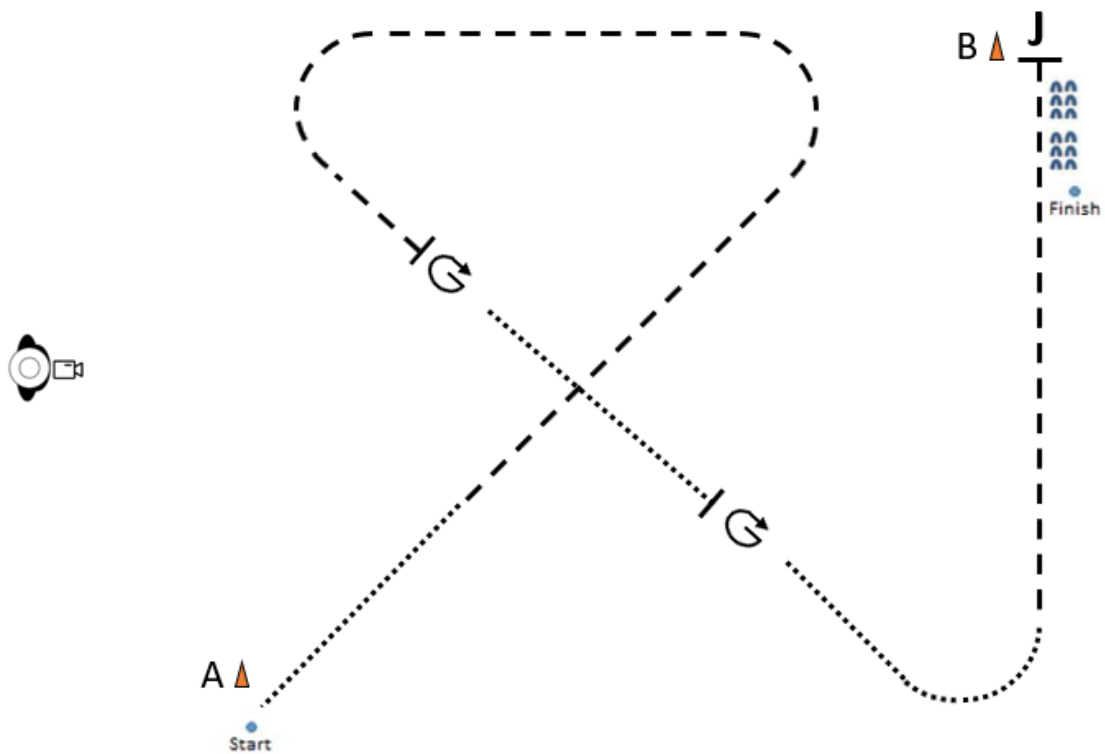




Virtual Challenge Round 2

DLW Jeugd Showmanship

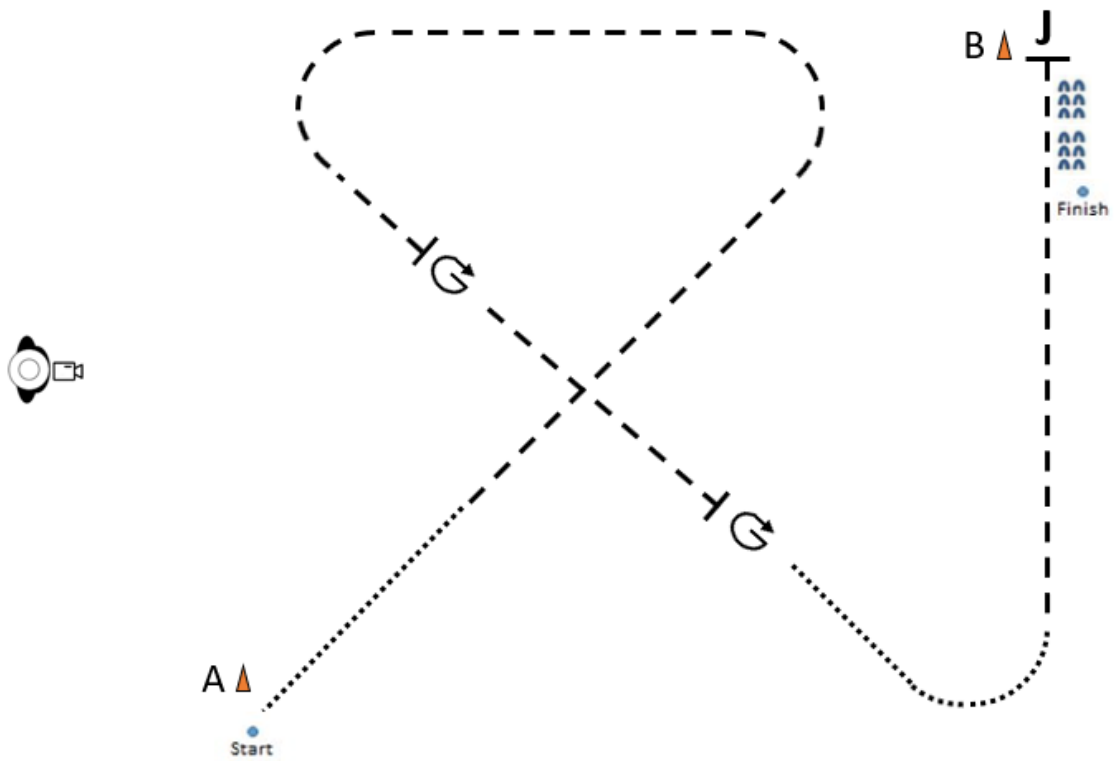


1. Start pion A, Walk
2. Jog, stop, Turn 360° right
3. Walk, Stop
4. Turn 360° right
5. Walk, Jog, Stop
6. Jury inspection, Back-up few steps
7. Finish



Virtual
Challenge Round 2

DLW Novice Amateur Showmanship

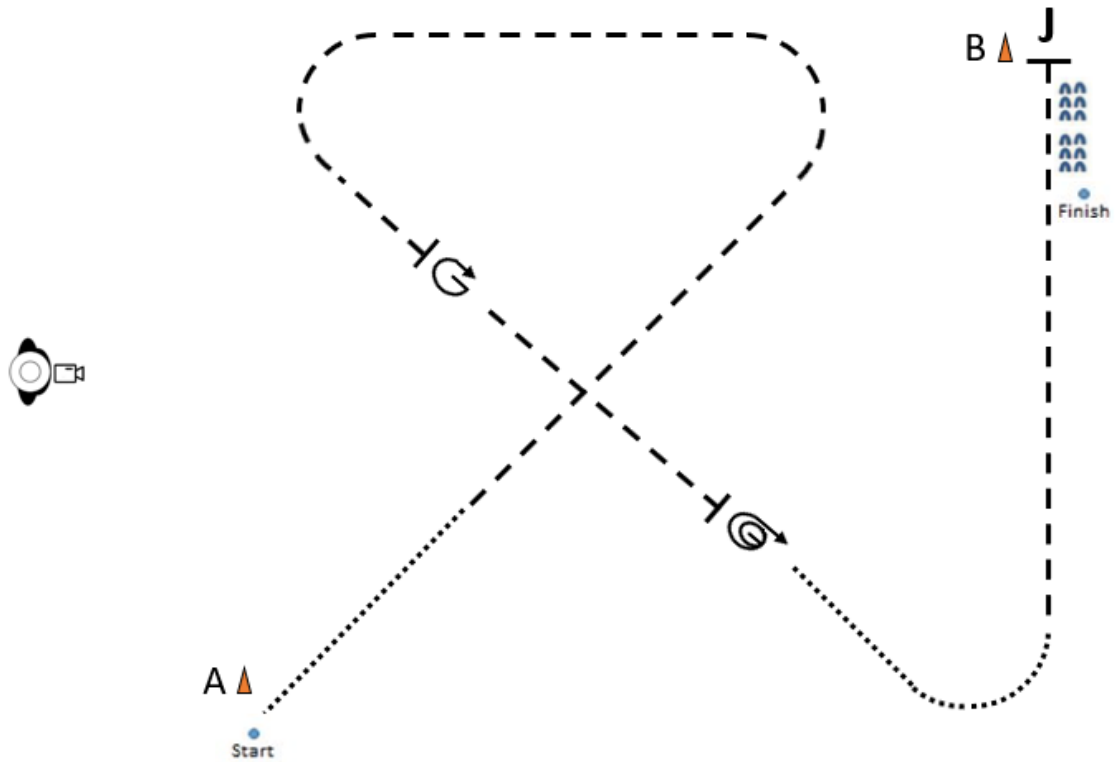


1. Start pion A, Walk
2. Jog, Stop, Turn 360° right
3. Jog, Stop, Turn 360° right
4. Walk, Jog, Stop
5. Jury Inspection, Back-up few steps
6. Finish



Virtual Challenge Round 2

DLW Amateur Showmanship

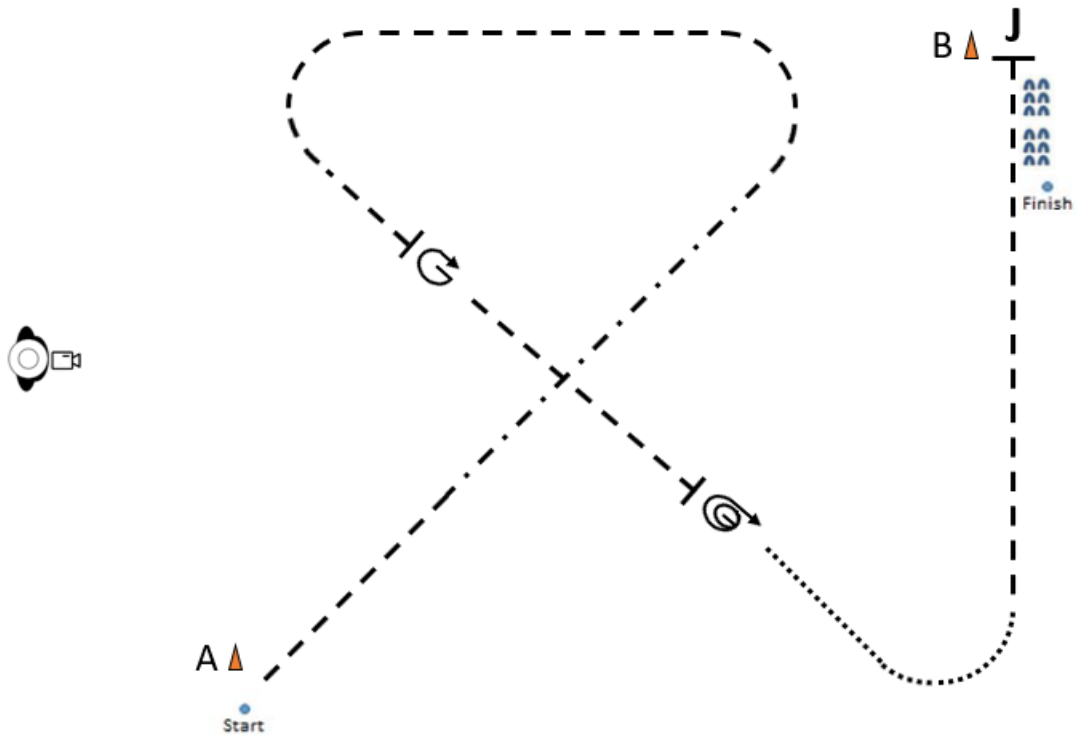


1. Start pion A, Walk
2. Jog, Stop, Turn 360° right
3. Jog, Stop, Turn 720° right
4. Walk, Jog, Stop
5. Jury Inspection, Back-up 6 steps
6. Finish



Virtual Challenge Round 2

DLW Open Showmanship

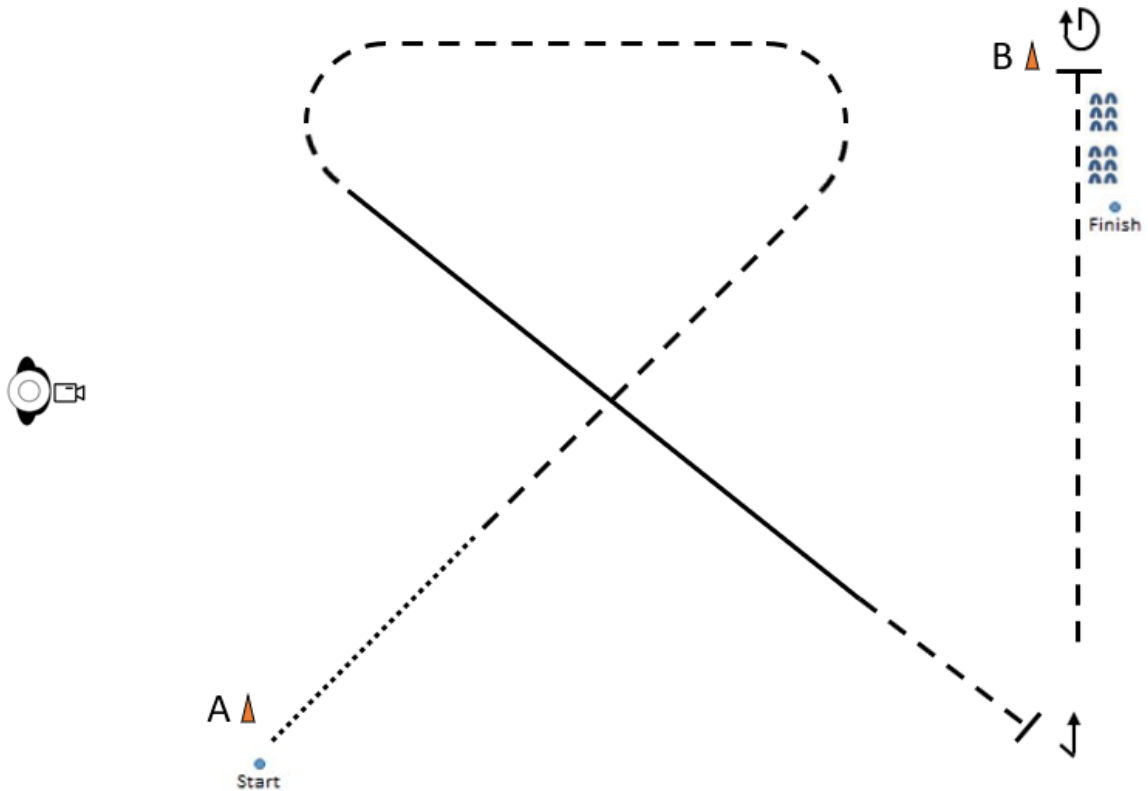


1. Start pion A Jog
2. Ext. Jog, Jog, Stop
3. Turn 360° right
4. Jog, Stop, Turn 720° right
6. Walk, Jog, Stop
7. Jury Inspection, Back-up 6 steps
8. Finish



**Virtual
Challenge Round 2**

DLW Jeugd Horsemanship

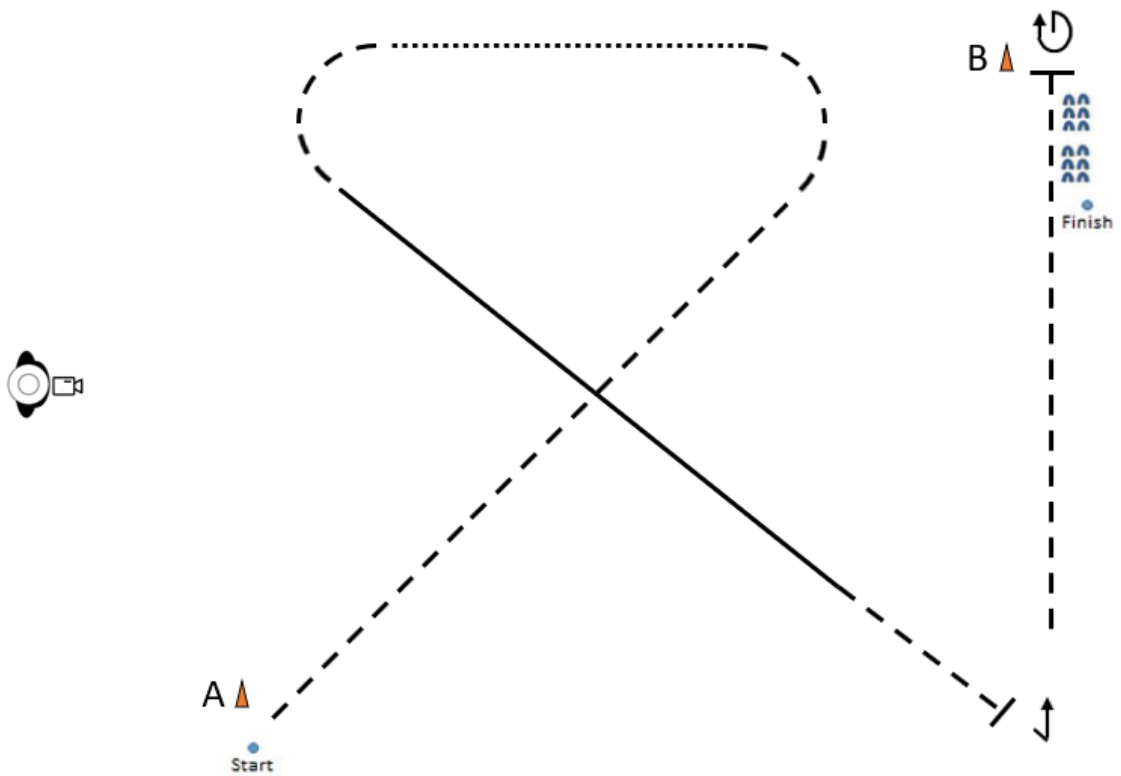


1. Start pion A, Walk
2. Jog, Lope Left Lead
3. Jog, Stop, Turn 135° Left
4. Jog, Stop pion B
5. Turn 360° Right
6. Back-up few steps
7. Finish



Virtual
Challenge Round 2

DLW Novice Amateur Horsemanship

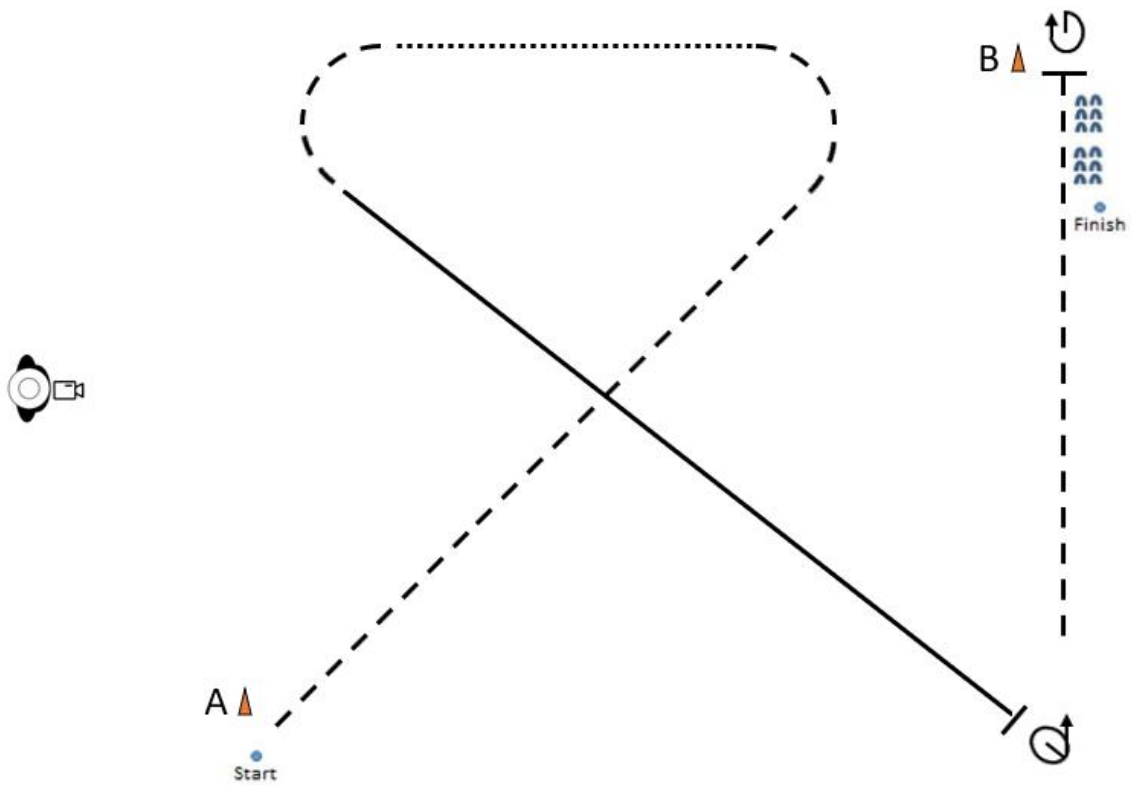


1. Start pion A, Jog
2. Walk, Jog, Lope Left Lead
3. Jog, Stop, Turn 135° Left
4. Jog, Stop pion B
5. Turn 360° Right
6. Back-up few steps
7. Finish



Virtual
Challenge Round 2

DLW Amateur Horsemanship

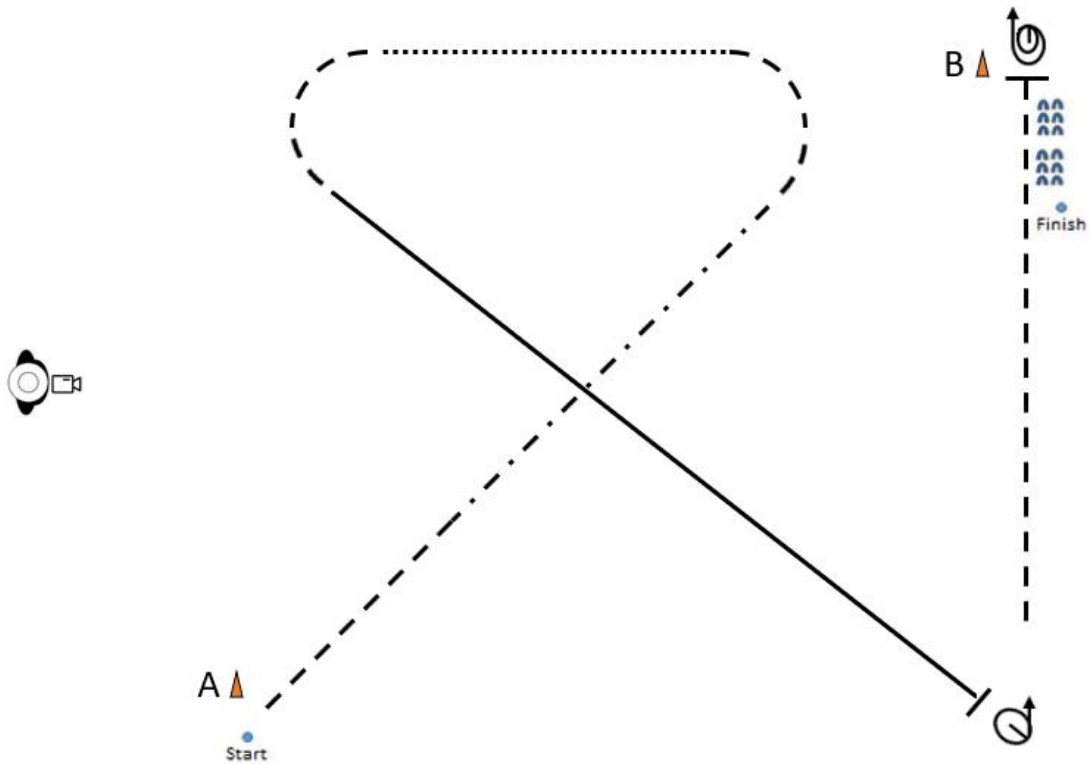


1. Start pion A, Jog
2. Walk, Jog, Lope Left Lead
3. Stop, Turn 495° Left
4. Jog, Stop pion B, Turn 360° Right
5. Back-up 6 steps
6. Finish



Virtual
Challenge Round 2

DLW Open Horsemanship

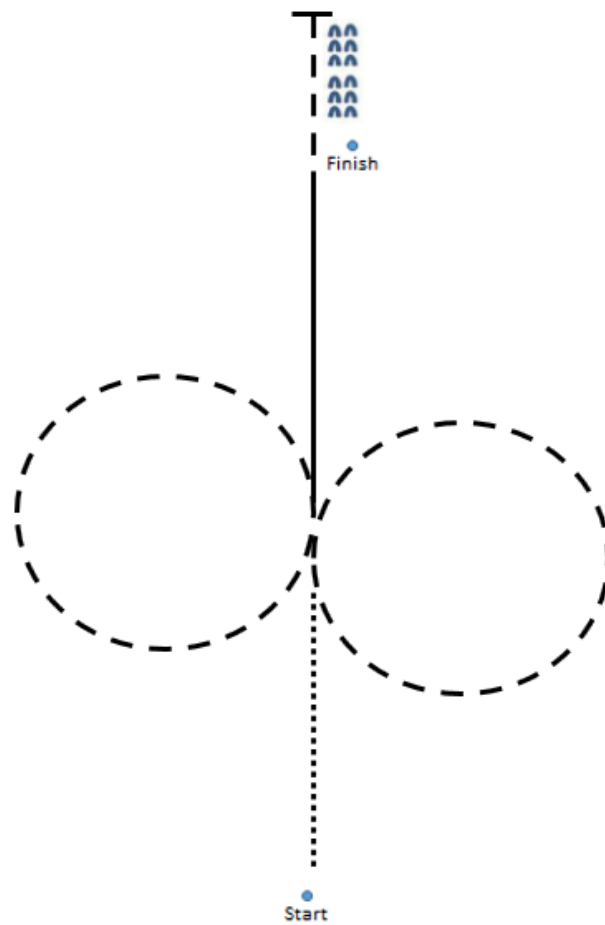


1. Start pion A, Jog
2. Ext. Jog, Jog, Walk
3. Jog, Lope Left Lead
4. Stop, Turn 495° Left
5. Jog, Stop pion B
6. Turn 720° right
7. Back-up 6 steps
8. Finish



Virtual
Challenge Round 2

DLW Jeugd Hunt Seat Equitation

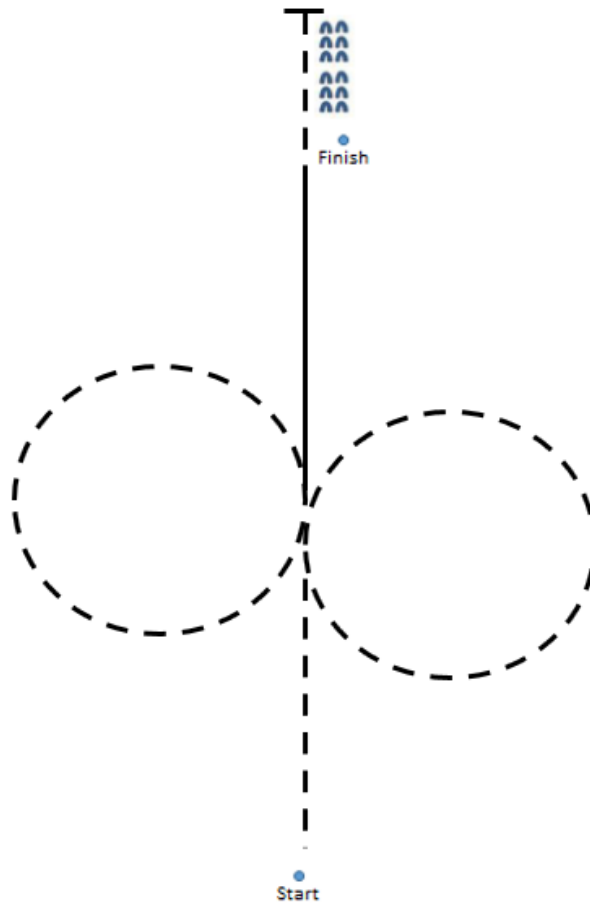


1. Start Walk
2. Posting Trot, Circle right
3. Sitting Trot Circle Left
4. Lope Left Lead, Sitting Trot
5. Stop, Back-up few steps
6. Finish



Virtual
Challenge Round 2

DLW Novice Amateur Hunt seat Equitation

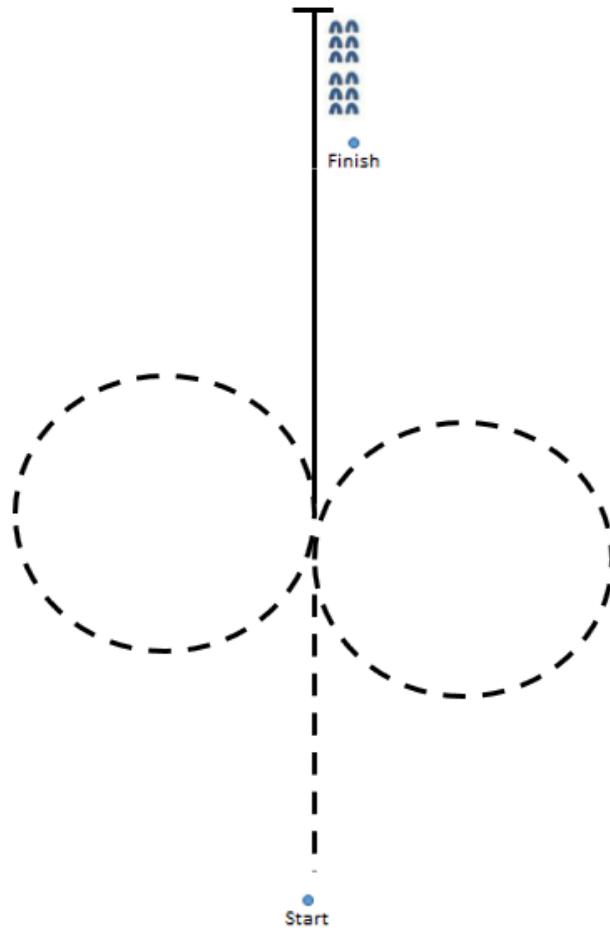


1. Start Posting Trot
2. Circle Right
3. Circle Left Sitting Trot
4. Lope Left Lead, Sitting Trot
5. Stop, Back-up few steps
6. Finish



Virtual
Challenge Round 2

DLW Amateur Hunt Seat Equitation

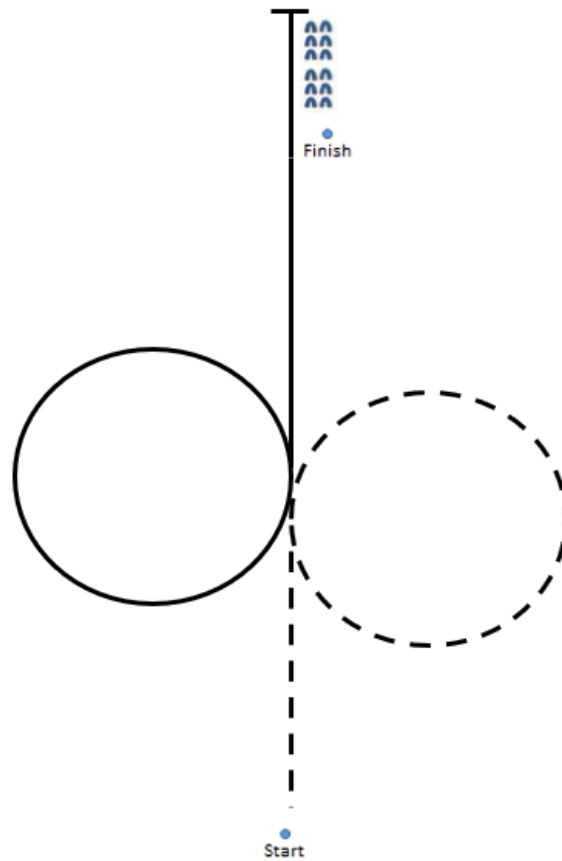


1. Start Posting Trot
2. Circle Right
3. Circle Left Sitting Trot
4. Lope Left Lead, Stop
5. Back-up 6 steps, Finish



**Virtual
Challenge Round 2**

DLW Open Hunt Seat Equitation

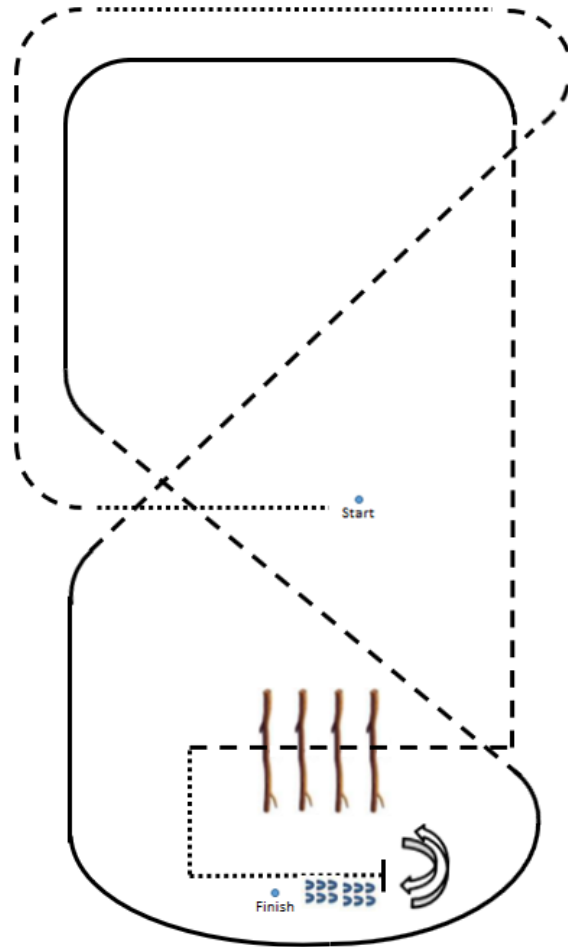


1. Start Posting Trot
2. Circle right Sitting Trot
3. Circle left Lope Left Lead
4. Stop, Back-up 6 steps
5. Finish



Virtual
Challenge Round 2

DLW Jeugd Ranch Riding



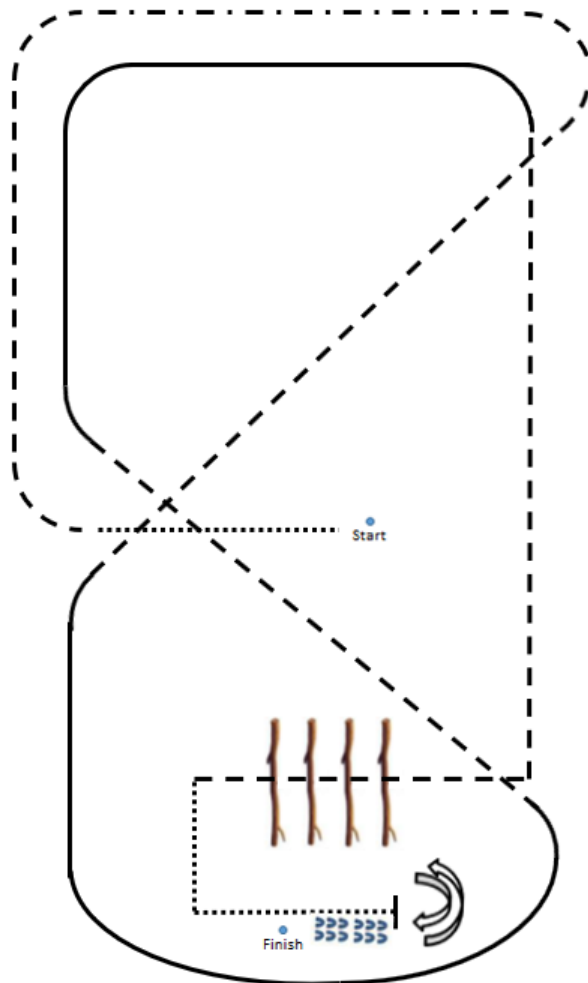
1. Start Walk
2. Trot, Walk, Trot
3. Lope Left Lead, Trot
4. Lope Right Lead
5. Trot, Trot over
6. Walk, Stop
7. Half spin left and right

8. Back-up few steps, Finish



Virtual
Challenge Round 2

DLW Novice Amateur Ranch Riding

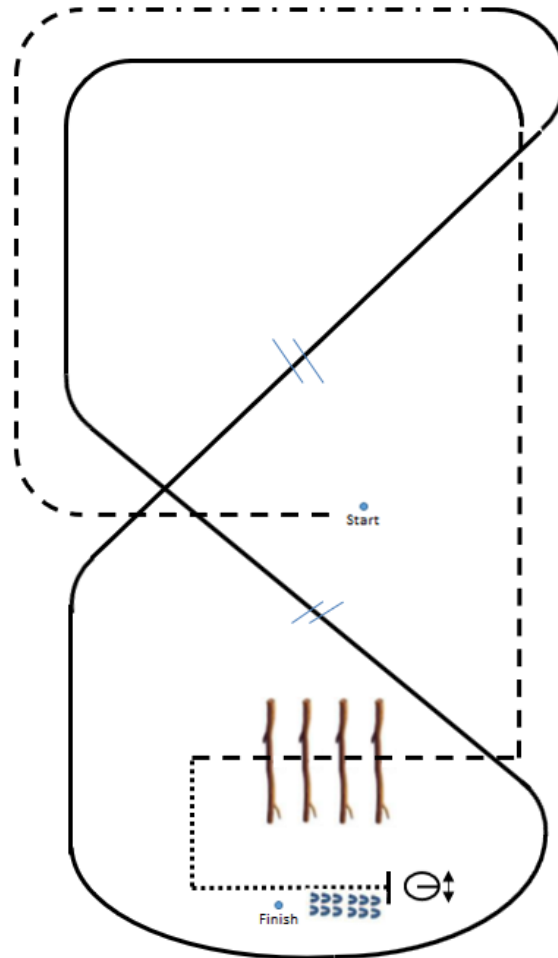


1. Start Walk, Trot
2. Ext. Trot, Trot
3. Lope Left Lead, Trot
4. Lope Right Lead, Trot
5. Trot over, Walk
6. Stop, half spin left and right
7. Back-up few steps, Finish



**Virtual
Challenge Round 2**

DLW Amateur Ranch Riding

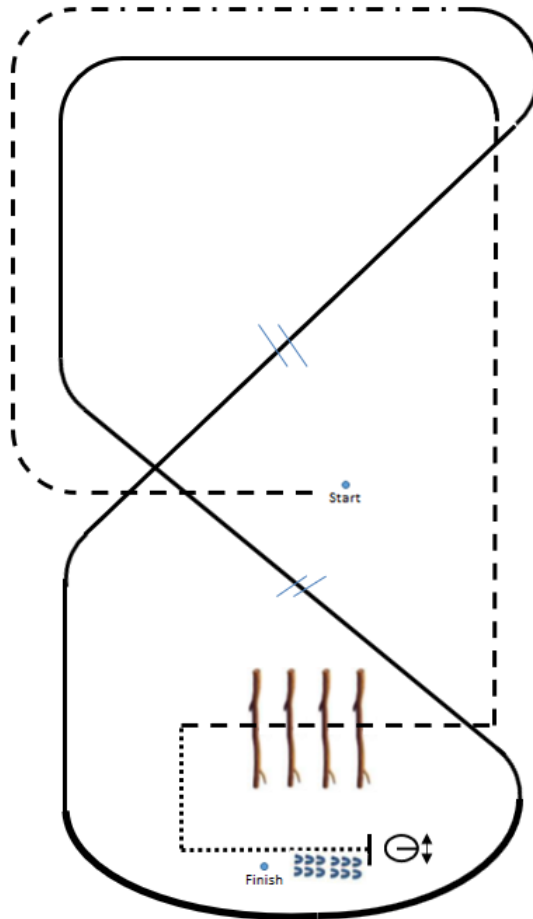


1. Start Trot, Ext. Trot
2. Lope Right Lead
3. Simple or Flying Lead Change
4. Lope Left Lead
5. Simple or Flying Lead Change
6. Lope Right Lead, Trot
7. Trot over, Walk, Stop
8. Spin left and Right
9. Back-up 6 steps, Finish



**Virtual
Challenge Round 2**

DLW Open Ranch Riding

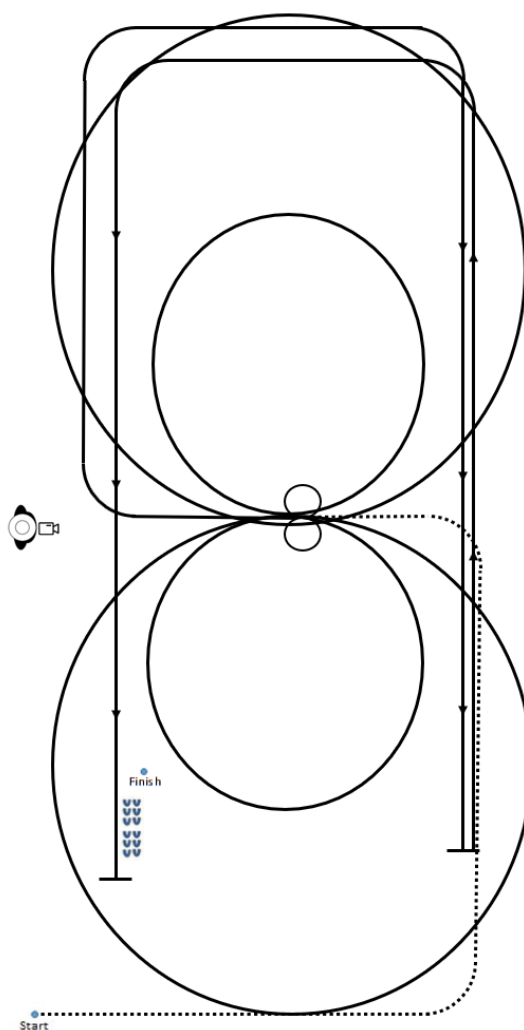


1. Start Trot, Ext. Trot
2. Lope Right Lead
3. Simple or Flying Lead Change
4. Lope Left Lead, Ext. Lope Left Lead
5. Lope Left Lead
6. Simple or Flying Lead Change
7. Lope Right Lead, Trot
8. Trot over, Walk, Stop
9. Spin left and right
10. Back-up 6 steps, Finish



Virtual
Challenge Round 2

DLW Jeugd/ Green Reining

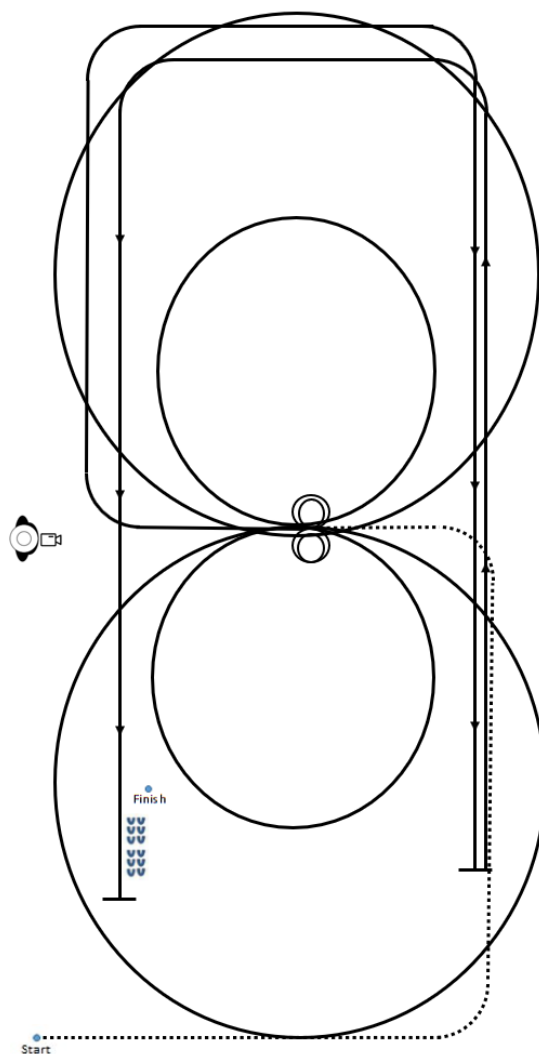


1. Walk in the Arena
2. Stop, 1 spin Left
3. Lope Left Lead, Large and Fast circle left
4. Small and slow circle Left, Stop
5. 1 Spin Right, Lope Right Lead
6. Large and Fast circle right, Small and slow circle right
7. Lope Right Lead $\frac{3}{4}$ circle right
8. Run up the right side of the arena, past the center marker, stop and do a left rollback at least 20 feet from the wall or fence
9. Lope Left lead, run up the left side of the arena, past the center marker, stop and back-up, Finish



Virtual Challenge Round 2

DLW Novice Amateur Reining

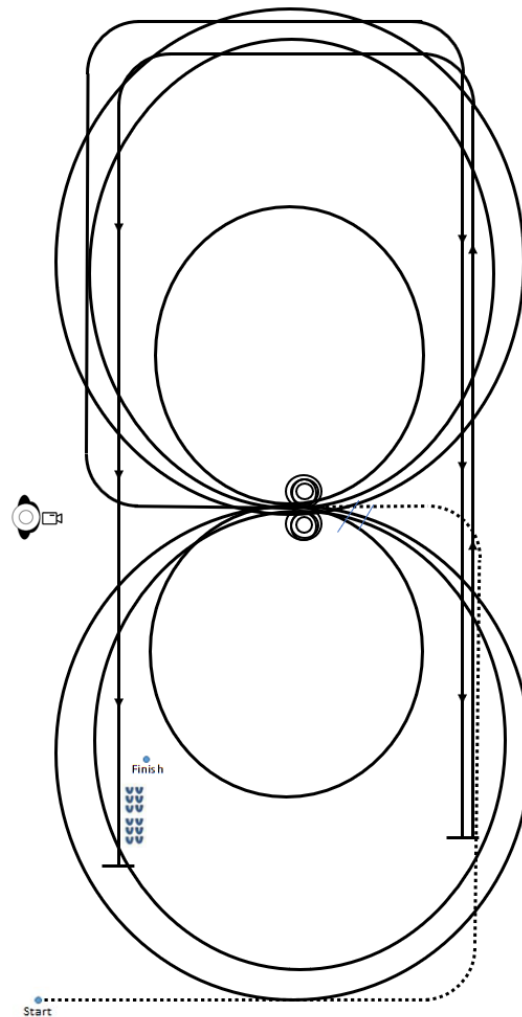


1. Walk in the Arena
2. Stop, 2 spins Left
3. Lope Left Lead, Large and Fast circle left
4. Small and slow circle Left, Stop
5. 2 Spins Right, Lope Right Lead
6. Large and Fast circle right, Small and slow circle right
7. Lope Right Lead $\frac{3}{4}$ circle right
8. Run up the right side of the arena, past the center marker, stop and do a left rollback at least 20 feet from the wall or fence
9. Lope Left lead, run up the left side of the arena, past the center marker, stop and back-up, Finish



**Virtual
Challenge Round 2**

DLW Amateur Reining

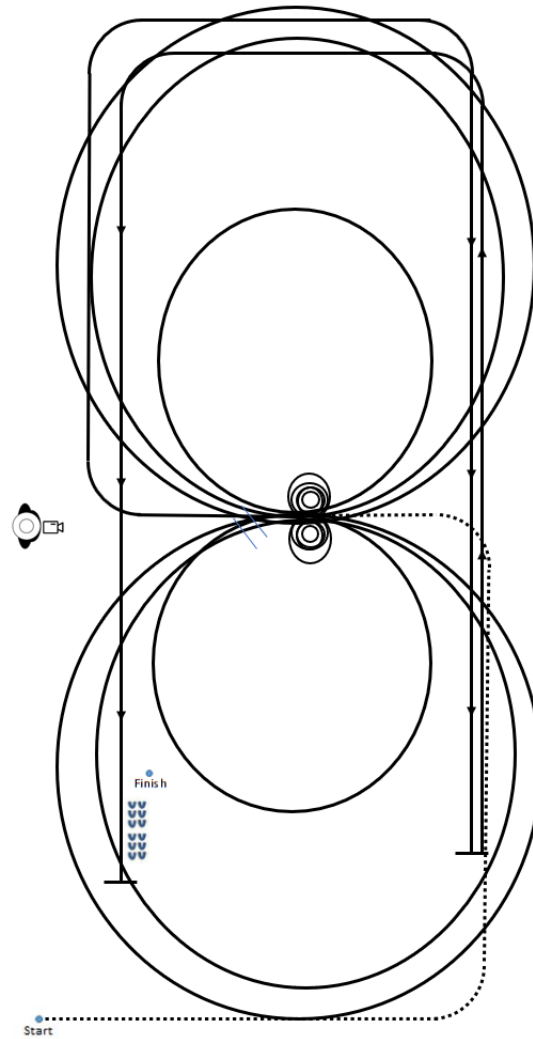


1. Walk in the Arena
2. Stop, 3 spins Right
3. Lope Right Lead, 2 Large and Fast circles Right
4. Small and slow circle Right, Stop
5. 3 spins Left, Lope Left Lead
6. 2 Large and Fast circle left, Small and slow circle Left
7. Simple or Flying lead change, Lope Right Lead
8. Run up the right side of the arena, past the center marker, stop and do a left rollback at least 20 feet from the wall or fence
9. Lope Left lead, run up the left side of the arena, past the center marker, stop and back-up, Finish



**Virtual
Challenge Round 2**

DLW Open Reining



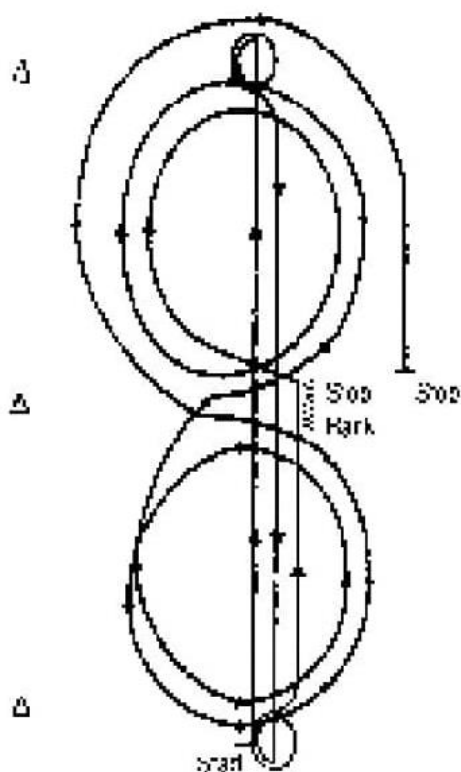
1. Walk in the Arena
2. Stop, 4 spins Right
3. Lope Right Lead, 2 Large and Fast circles Right
4. Small and slow circle Right, Stop
5. 4 spins Left, Lope Left Lead
6. 2 Large and Fast circle left, Small and slow circle Left
7. Simple or Flying lead change, Lope Right Lead
8. Run up the right side of the arena, past the center marker, stop and do a left rollback at least 20 feet from the wall or fence
9. Lope Left lead, run up the left side of the arena, past the center marker, stop and back-up, Finish



Virtual
Challenge Round 2

DLW Jeugd – Novice amateur Ranch Reining

RANCH REINING PATTERN



- △ BEGIN AT END OF THE ARENA...
1. Run to far end of arena past the end marker and stop.
 2. Execute 1 1/2 (one and one-half) spins to the left.
 3. Run to other end of arena past the end marker and stop.
 4. Execute 1 1/2 (one and one-half) spins to the right.
 5. Run past the center marker and stop.
 6. Back 10 to 15 feet in a straight line.
 7. Complete 1/4 (one-quarter) of a turn to the left, hesitate. On right lead complete one small, slow circle and one large, fast circle. Change leads to left.
 8. Complete one small, slow circle and one large, fast circle. Change leads to the right.
 9. Run around the end of arena to the other side, past center marker, at least 20 feet from the fence and stop, hesitate to complete pattern.
 10. Approach judge for inspection and dismissal.
- △ Rider may drop bridle to the designated judge.





Virtual
Challenge Round 2

DLW Amateur - Open Ranch Reining

RANCH REINING PATTERN #6

1. Run in past middle marker. Stop.
2. Back 8-10 feet to center of arena.
3. 3 spins to the right.
4. $3\frac{1}{4}$ to the left.
5. Begin on the right lead, lope circles , first large fast, second small slow; change leads to the left.
6. First circle small slow; second circle large fast; change leads.
7. Run down and stop. Roll back to the left.
8. Rundown and stop. Roll back to the right.
9. Run down and stop. Hesitate to show completion.

Rider must drop bridle to the designated judge

